



Use only for adding a second node. For initial deployment, see **ztC Edge100i-s/110i-s Systems: Deploying a Single-Node System.**

User-supplied Components



1/8" Slotted screwdriver (if mounting)



#2 Phillips screwdriver (if mounting)



Network cable



Signal ground wire and connector (optional)

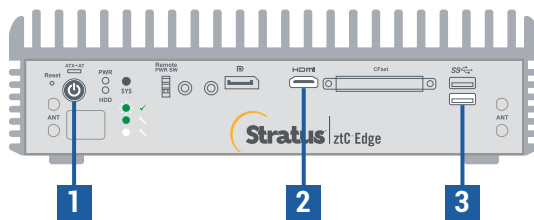
If already using static IP address for Node0, contact network administrator to assign static IP address for Node1; otherwise, DHCP assigns this automatically. Enter other network settings only if needed for reference.

System IP address (static required) --- . --- . --- . ---
 Node0 IP address --- . --- . --- . ---
Node1 IP address --- . --- . --- . ---
 Gateway address --- . --- . --- . ---
 Network mask --- . --- . --- . ---
 DNS servers --- . --- . --- . ---
 --- . --- . --- . ---

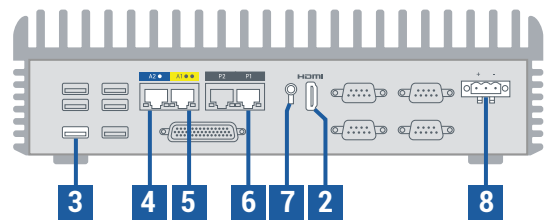
(System and node IP address must be on same subnet.)

Systems Overview

ztC Edge 100i Family (front view)

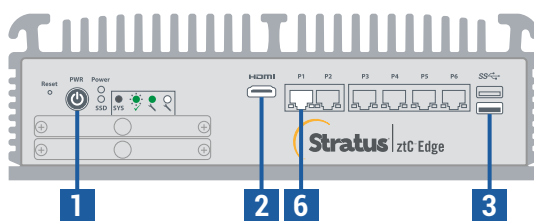


ztC Edge 100i Family (rear view)

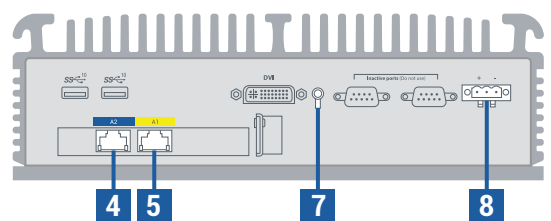


1. Power button
2. HDMI port (monitor)
3. USB port (keyboard)
4. A2 port (blue network)
5. A1 port (yellow network)
6. P1 port (LAN)
7. Signal ground connector
8. Power connector

ztC Edge 110i Family (front view)

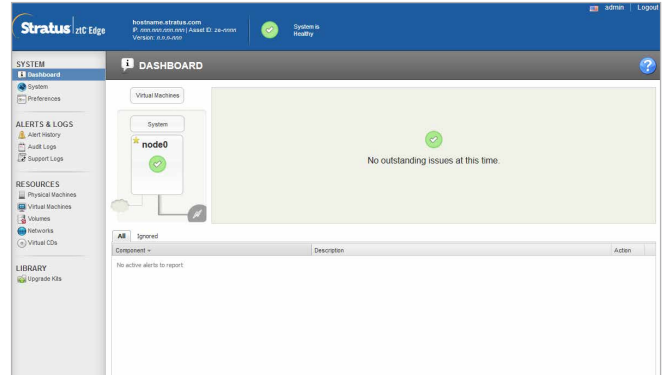
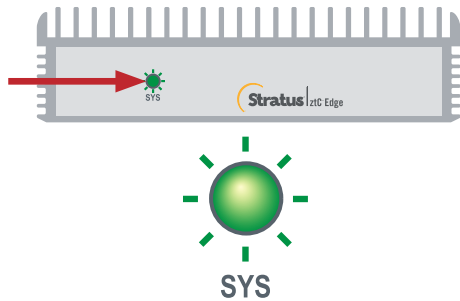


ztC Edge 110i Family (rear view)

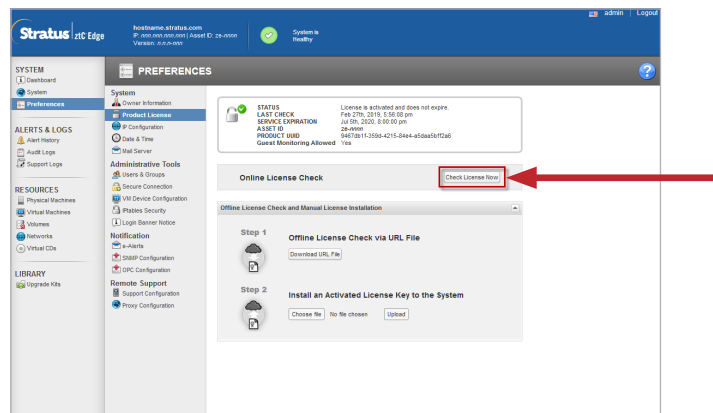


For ztC Edge Release Notes and documentation, please visit <http://ztcedgedoc.stratus.com>. To access other ztC Edge self-help resources, including Knowledge Base articles and software downloads, visit Stratus Customer Service at <http://www.stratus.com/support>.

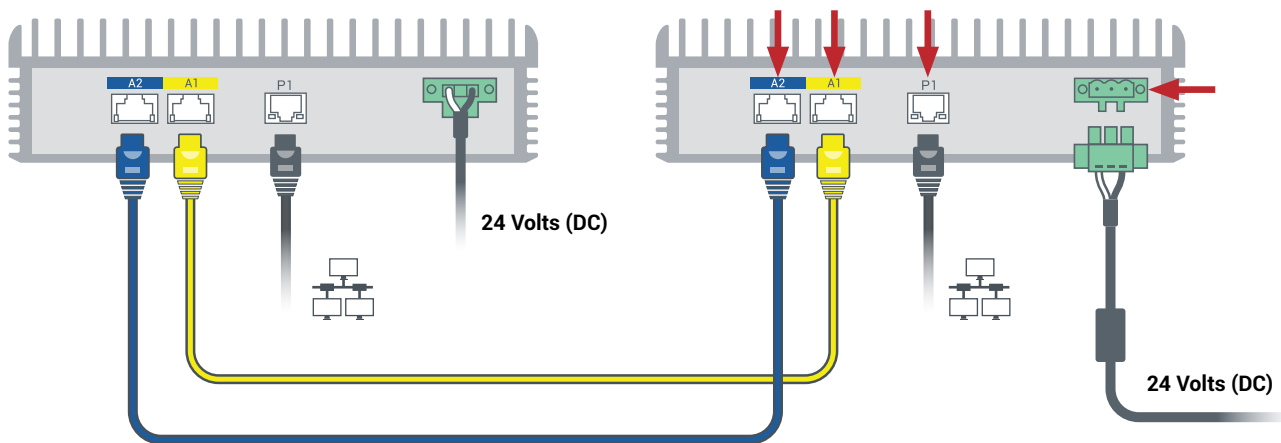
1 Confirm that running node is healthy: SYS LED is flashing and ztC Console **Dashboard** page displays green marks with no outstanding issues. Resolve any issues before adding second node.



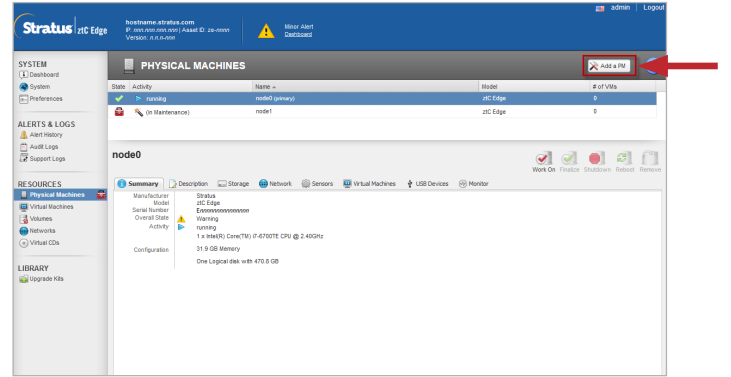
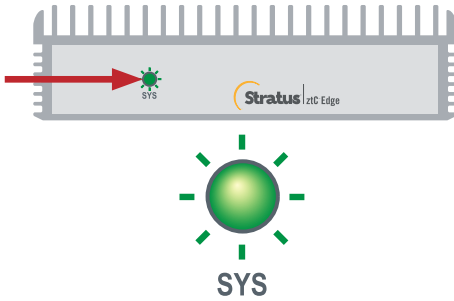
2 In ztC Console, open **Preferences** page and click **Product License**. Click **Check License Now** to update license. **Dashboard** page indicates that dual-node upgrade is pending. (Note: Consider delaying next steps until maintenance window, because VM performance slows until you restart VMs in step 6.)



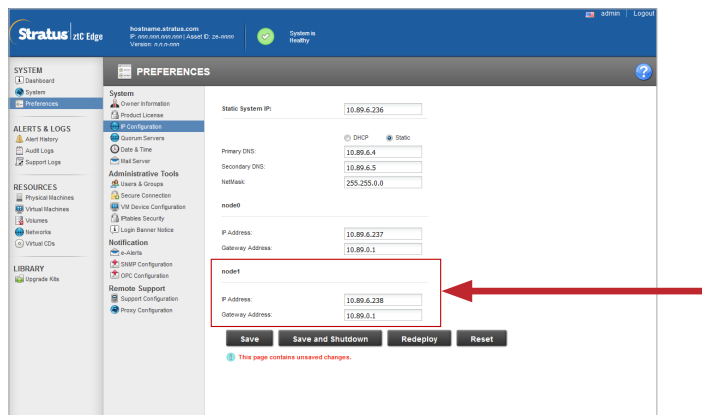
3 Connect blue and yellow network cables from first node to second node (A2 and A1 ports), and connect P1 port of second node to your existing LAN (same subnet as P1 on first node). Connect power to second node and verify that it powers on. (You can safely ignore alerts about second node in ztC Console until synchronization completes in step 6.)



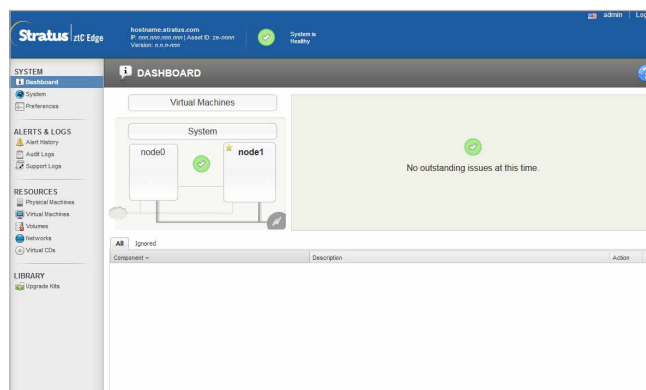
4 After connecting second node, wait up to 30 minutes for SYS LED on second node to flash and for **Add a PM** button on **Physical Machines** page to become active. Click **Add a PM**. (If button remains inactive, verify that license is updated, connections are correct, and second node is powered on.)



5 In ztC Console, open **Preferences** page and click **IP Configuration** to verify settings. If needed, enter static IP address for second node (**node1**) and click **Save**.

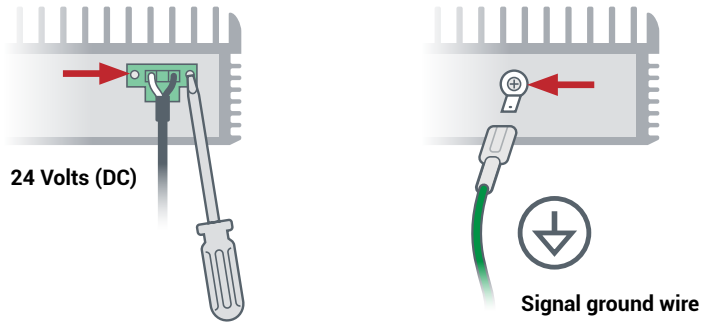


6 VMs may synchronize for hours, after which you must restart VMs to enable redundancy and clear warnings. For ztC Edge 110i family only, while VMs are down, consider updating HA/FT setting for each VM as described in online help. When system is synchronized and VMs are running, **Dashboard** displays green check marks with no outstanding issues.



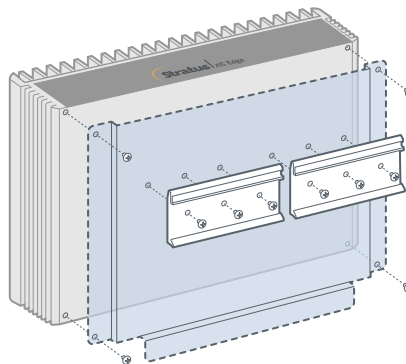
Recommended Before using system, ensure it is running latest software. See **Release Notes** for details and download software from <https://www.stratus.com/services-support/downloads>.

Optional Fasten captive screws on power connector using 1/8" slotted screwdriver. Install user-supplied signal ground wire.



Optional Fasten DIN rail mount or wall mount to node using #2 Phillips screwdriver. Or, install rubber feet for freestanding node only.

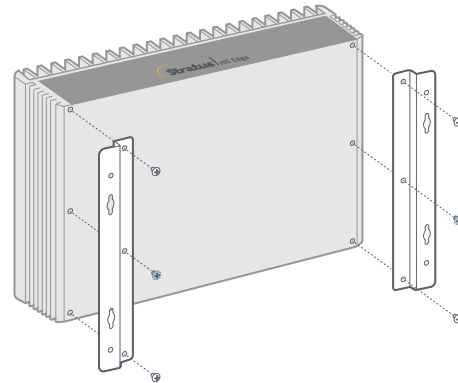
DIN rail mount brackets



zTC Edge 100i Family
Fasten mount plate using (4) provided screws. Fasten DIN rail brackets to mount plate using (6) provided screws.

zTC Edge 110i Family
No mount plate required. Fasten DIN rail brackets directly to node bottom using (6) provided screws.

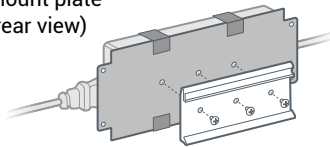
Wall mount brackets



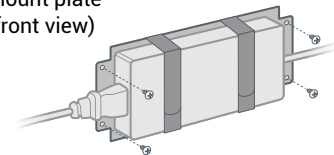
zTC Edge 100i Family
Fasten wall mount brackets using (4) provided screws.

zTC Edge 110i Family
Fasten wall mount brackets using (6) existing screws from node bottom.

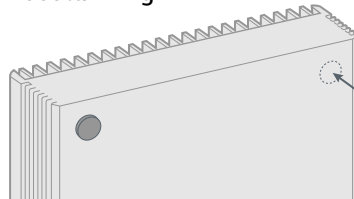
DIN rail power adapter mount plate (rear view)



Wall mount power adapter mount plate (front view)



Freestanding



(4) Rubber feet provided