



Use only for adding a second node. For initial deployment, see **ztC Edge 100i/110i Systems: Deploying a Single-Node System**.

User-supplied Components



1/8" Slotted screwdriver (if mounting)



#2 Phillips screwdriver (if mounting)



Network cable



Signal ground wire and connector (optional)



Networked PC or laptop

If already using static IP address for Node0, contact network administrator to assign static IP address for Node1; otherwise, DHCP assigns this automatically. Enter other network settings only if needed for reference.

System IP address (static required) _____ . _____ . _____ . _____

Node0 IP address _____ . _____ . _____ . _____

(New) Node1 IP address _____ . _____ . _____ . _____

Gateway address _____ . _____ . _____ . _____

Network mask _____ . _____ . _____ . _____

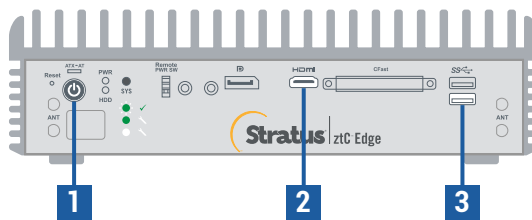
DNS servers _____ . _____ . _____ . _____

(System and node IP address must be on same subnet.)

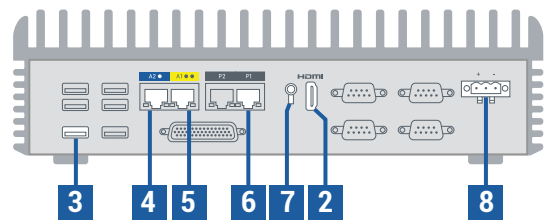
Systems Overview

1. Power button
2. HDMI port (monitor)
3. USB port (keyboard)
4. A2 port (blue network)
5. A1 port (yellow network)
6. P1 port (LAN)
7. Signal ground connector
8. Power connector

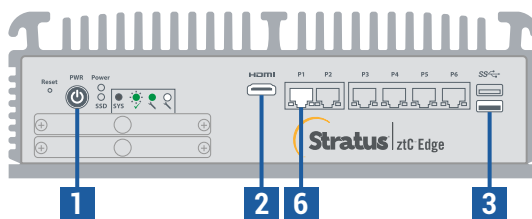
ztC Edge 100i Systems (front view)



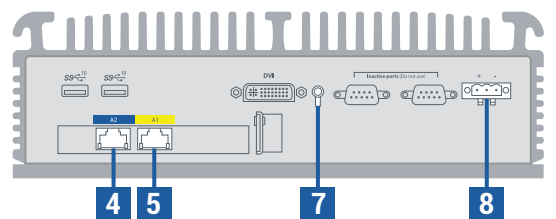
ztC Edge 100i Systems (rear view)



ztC Edge 110i Systems (front view)

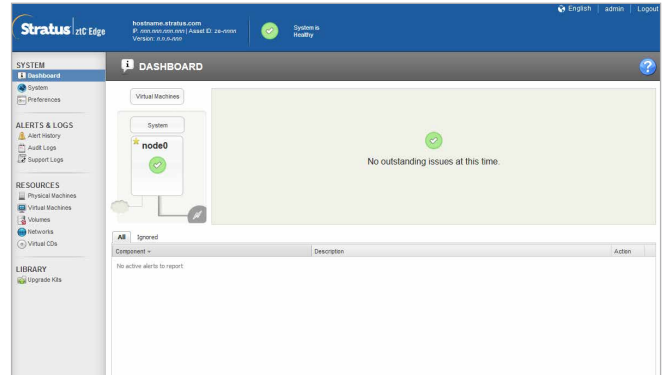
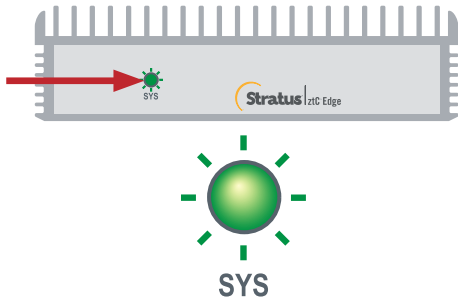


ztC Edge 110i Systems (rear view)

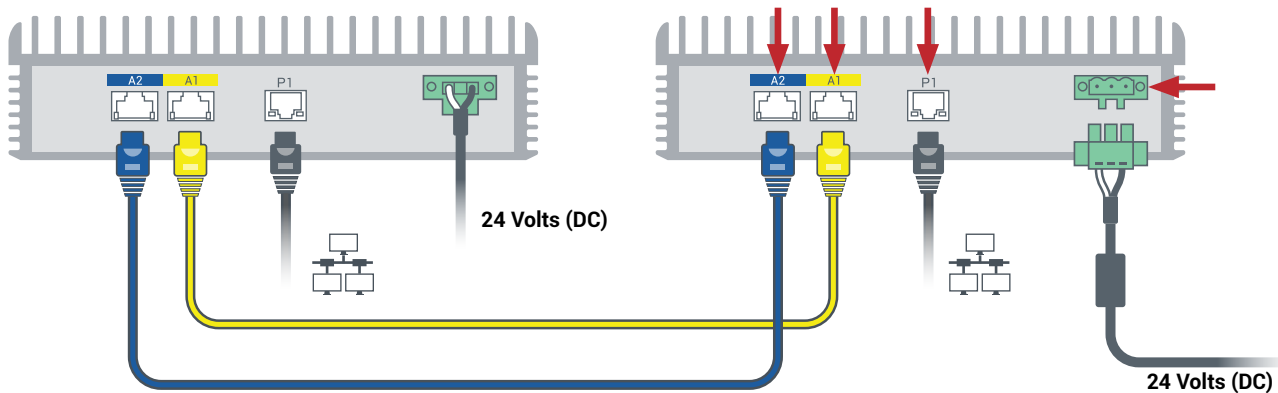


For ztC Edge Release Notes and documentation, please visit <http://ztcedgedoc.stratus.com>. To access other ztC Edge self-help resources, including Knowledge Base articles and software downloads, visit Stratus Customer Service at <http://www.stratus.com/support>.

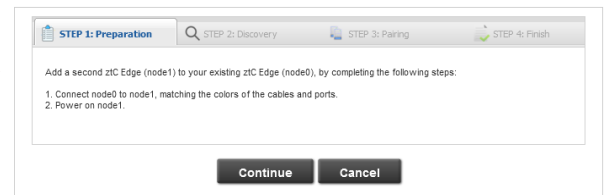
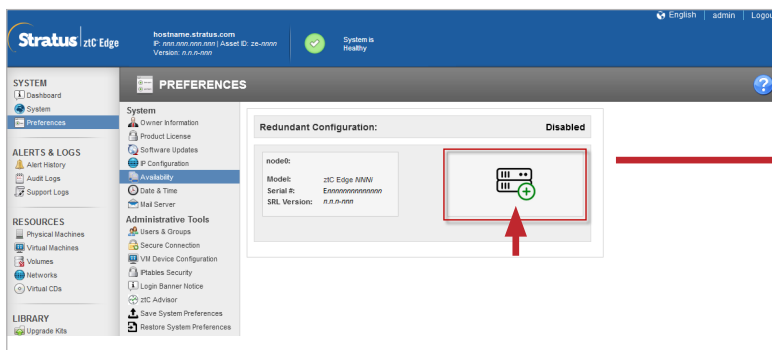
1 Confirm that first node is running and healthy with flashing SYS LED. On PC or laptop with network connectivity to first node, connect to ztC Edge Console and confirm that **Dashboard** page displays green check marks with no outstanding issues. (Note: Consider delaying procedure until planned maintenance period, because VM performance may slow until nodes synchronize and you restart VMs in step 6.)



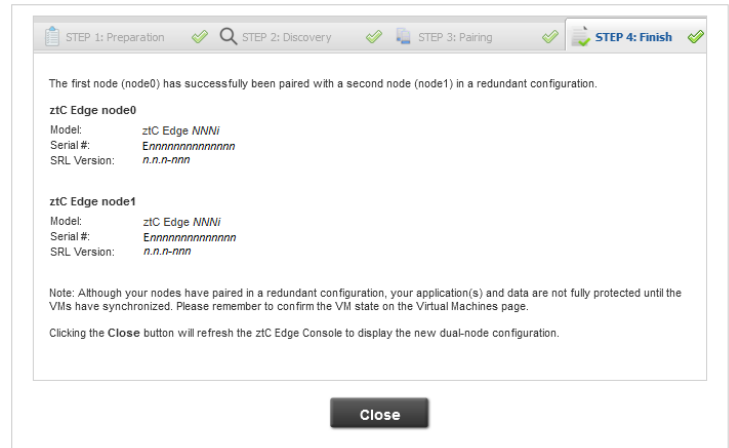
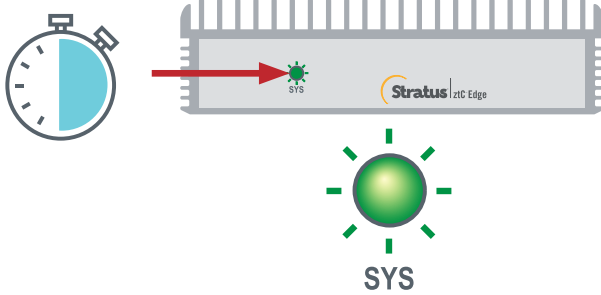
2 Connect blue and yellow network cables from first node to second node (A2 and A1 ports), and connect P1 port of second node to your existing LAN (same subnet as P1 on first node). Connect power to second node and verify that it powers on.



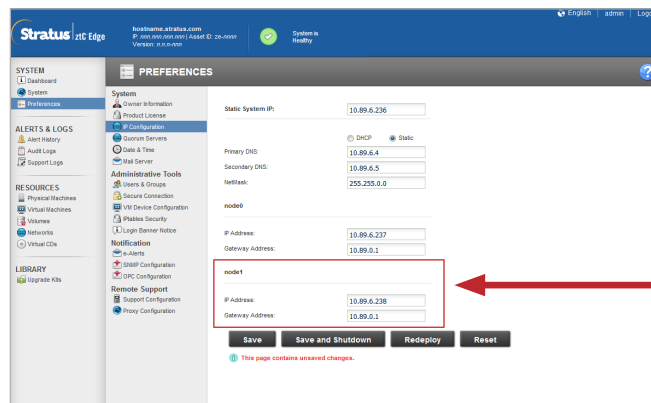
3 In ztC Edge Console connected to first node, open **Preferences**, click **Availability**, and click + (plus sign) to add second node. Complete add node wizard to pair nodes and make system redundant.



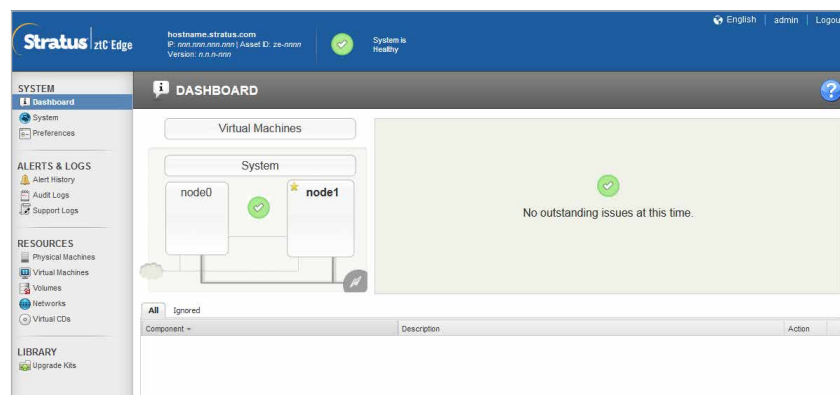
4 Pairing may take up to 30 minutes to complete, after which SYS LED on second node flashes to indicate healthy status, and add node wizard confirms successful pairing with green check marks on each tab.



5 In ztC Edge Console, open **Preferences** page and click **IP Configuration** to verify settings. If needed, enter static IP address for second node (**node1**) and click **Save**.

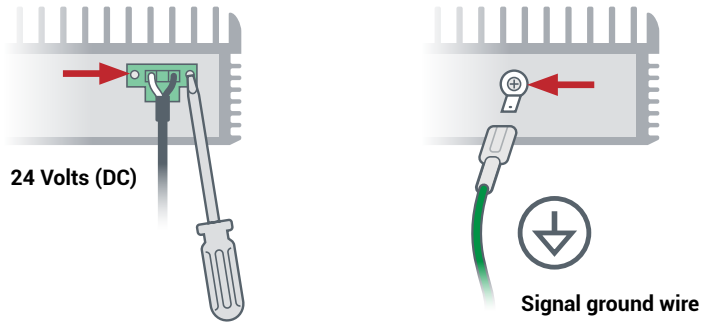


6 Any existing VMs may synchronize for hours, after which you must restart VMs to enable redundancy and clear warnings. For ztC Edge 110i systems only: while VMs are down, consider updating HA/FT setting for each VM as described in online Help. When system is synchronized and VMs are running, **Dashboard** displays green check marks with no outstanding issues.



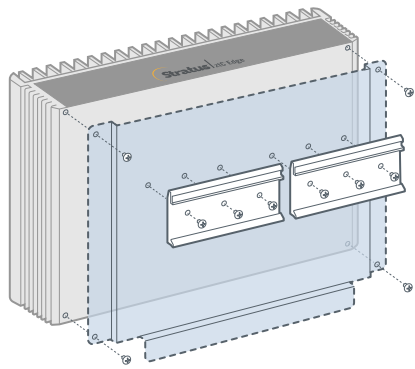
Recommended Before using system, ensure it is running latest software. See **Release Notes** for details and download software from <https://www.stratus.com/services-support/downloads>.

Optional Fasten captive screws on power connector using 1/8" slotted screwdriver. Install user-supplied signal ground wire.



Optional Fasten DIN rail mount or wall mount to node using #2 Phillips screwdriver. Or, install rubber feet for freestanding node only.

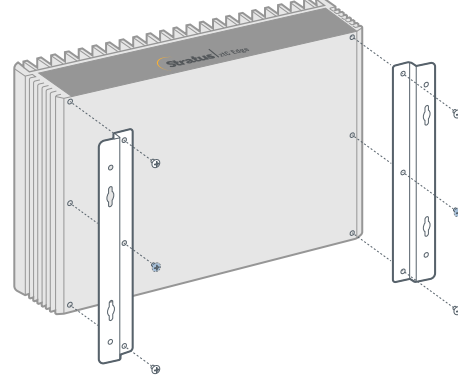
DIN rail mount brackets



zTC Edge 100i Systems
Fasten mount plate using (4) provided screws. Fasten DIN rail brackets to mount plate using (6) provided screws.

zTC Edge 110i Systems
No mount plate required. Fasten DIN rail brackets directly to node bottom using (6) provided screws.

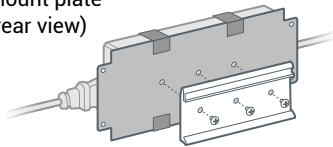
Wall mount brackets



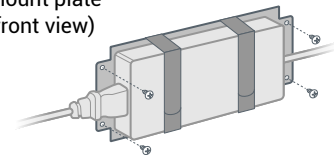
zTC Edge 100i Systems
Fasten wall mount brackets using (4) provided screws.

zTC Edge 110i Systems
Fasten wall mount brackets using (6) existing screws from node bottom.

DIN rail power adapter mount plate (rear view)



Wall mount power adapter mount plate (front view)



Freestanding

