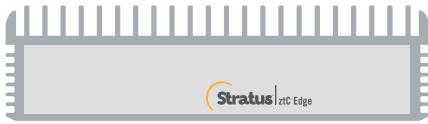




Use only for node replacement in a dual-node system. For adding a second node, see **zTC Edge 100i/110i Systems: Adding a Node**.

zTC Edge 100i/110i Systems: Replacing a Node

Replacement Components

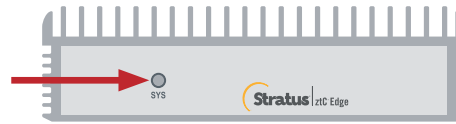


zTC Edge node



Power adapter
(use with existing power cable)

1 Locate node to replace. Faulted node is either powered off (automatically) or powered on with SYS LED off or solid green (not healthy). If node is already powered off, skip to step 3.

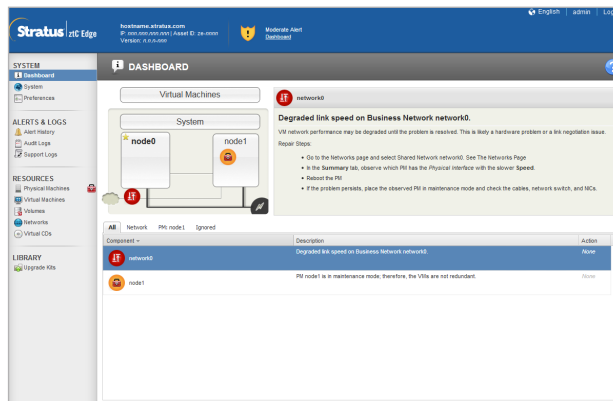


SYS

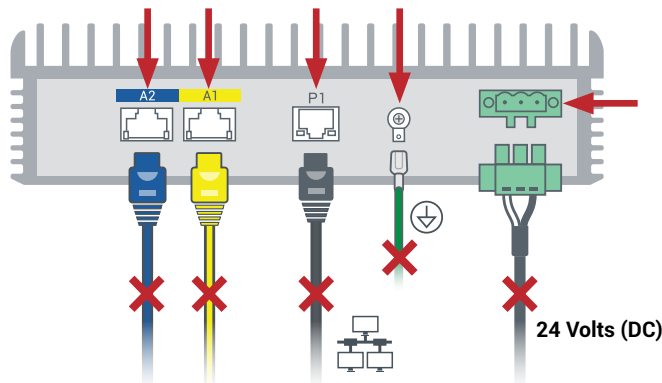


SYS

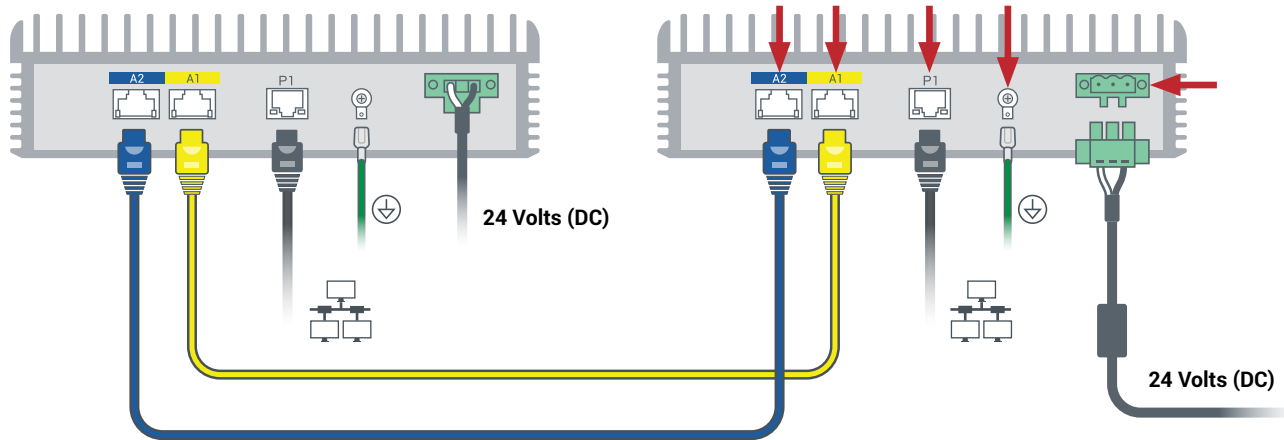
2 If faulted node is still powered on, open zTC Edge Console to resolve issues blocking shutdown. For example, failed network connection on healthy node could cause dependency on faulted node. Resolve issues and shut down faulted node.



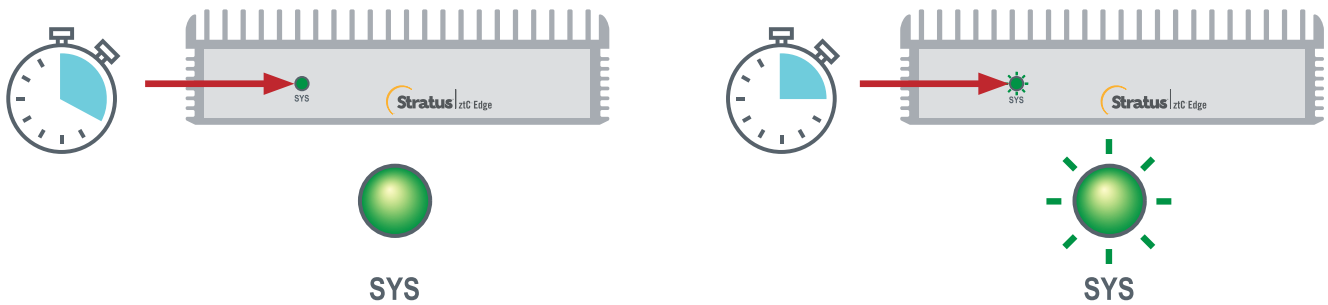
3 Disconnect power cable from faulted node, disconnect network cables (and signal ground wire, if present), then physically remove node from system. For rail or wall-mounted node, remove existing mount kit from faulted node and reinstall on replacement node. If needed, replace power adapter.



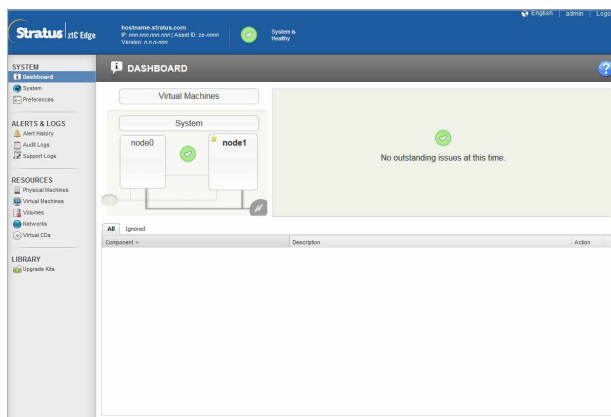
4 Add replacement node to system. Reconnect network cables (and signal ground wire, if present), then reconnect power to automatically power on node. Node replacement is complete. System begins to synchronize with no user input required.



5 After 20 minutes, SYS LED cycles from off to solid green to show software on replacement node is starting. After another 15 minutes, SYS LED starts flashing to show system is healthy.



6 Log on to ztC Edge Console to confirm system health. Virtual machines may synchronize for hours, after which **Dashboard** displays green check marks with no outstanding issues.



For ztC Edge **Release Notes** and documentation, please visit <http://ztcedgedoc.stratus.com>.

To access other ztC Edge self-help resources, including Knowledge Base articles and software downloads, visit Stratus Customer Service at <http://www.stratus.com/support>.